

# RESETTABLE FIRE ALARM CALL POINT CP500CPR



## DESCRIPTION

Context Plus Resettable Manual Call Point **CP500CPR**'s simple 'RESET' mechanism consists of tough ABS plastic operating elements that simulates break glass activation. It is instantly reusable without environmental hazard caused by fragments of broken glass—making it very suitable for used in food processing plants and places that are prone to false activations such as schools, shopping malls and other high traffic areas.

**CP500CPR** is professionally designed for both open and close circuit system. Alternate terminals are provided for open and close circuits. When wired for open circuit operation, the circuit closes instantly when activated. Context Plus Resettable Manual Call Point **CP500CPR** also meets the requirements of BS5839 Part 2 and EN54 Part 11.

## CP ADVANTAGES

- Double terminal wire connectors for independent input and output connections which facilitate installations when used in looping.
- No glass elements to break, lose or incorrectly fit when installing.
- Complete functional test with every activation.
- Virtually maintenance free—achieved by an easy reset operation with a simple key.
- Thread protection plugs are provided to protect the brass inserts on the base box (when conceal fixing is needed).
- 3/4" Ø preopened conduit entries from top, bottom and the back are provided for extra convenience.
- Colour matching polythene plugs for conduit entries are included.
- Suitable for surface or flush mounting.

## SPECIFICATIONS

Size (H x W x D)	88 X 88 X 53 mm (Surface Mount) 88 X 88 X 20 mm (Flush Mount)
Current Ratings	12/24V DC 10A 48V DC 3A 250V AC 10A
Net/Gross Weight	160/184g
Connections	TERMINAL- MAX 2.5mm <sup>2</sup> CABLE

*Specifications are subject to change.*

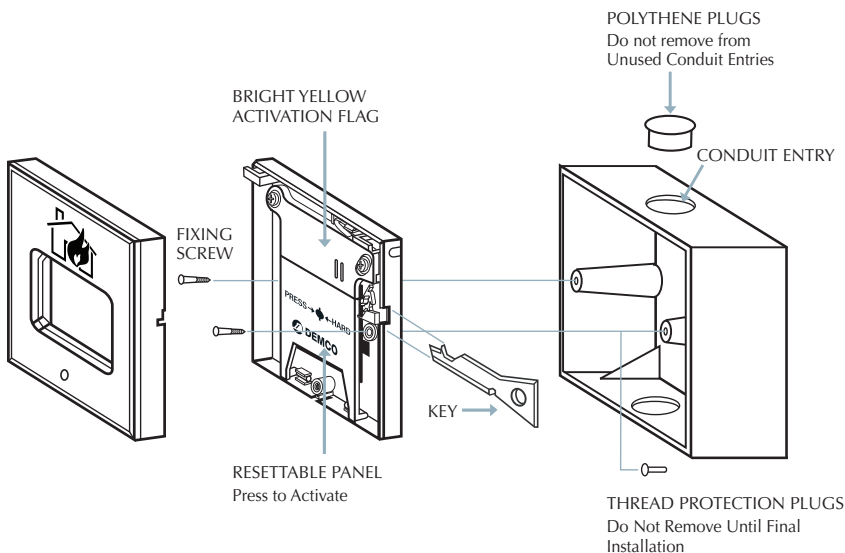
## OPTIONAL FEATURES

- Transparent Polycarbonate lift-up protective cover.
- Super-bright LED.
- Monitoring resistor.
- Blocking diode.
- Specific languages or custom imprints available on facial layout upon request.
- Casing available in different colours.



RANGE OF CASING COLOURS  
White, Yellow, Green, Red, Blue

HINGED COVER  
(Pack 20)  
CP500/550/C



**Context**  
Plus

**Context Plus Limited**  
175, Mauldeth Road,  
Manchester, M14 6SG,  
United Kingdom  
Tel: +44 (0)161 257 2541  
Fax: +44 (0) 161 225 8817  
Email: contextplus@xportsales.com